

LH / LHW SERIES | Extreme high pressure pumping at high volumes



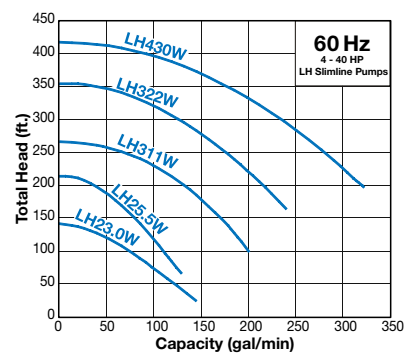
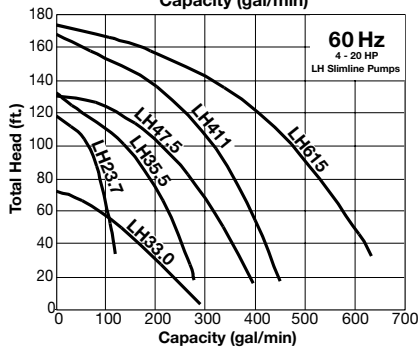
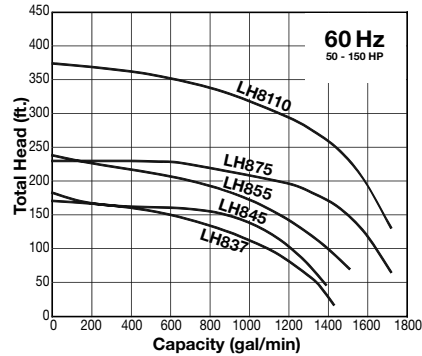
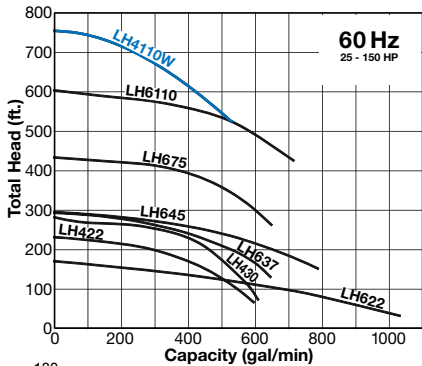
Material

- Impeller: High Chrome Iron
- Casing: Ductile Cast Iron
- Mechanical Seal: Silicon Carbide
- Motor Frame: Cast Iron
- Shaft: 420 Stainless Steel
- Fasteners: 304 Stainless Steel
- Cable: Chloroprene Sheath

Features

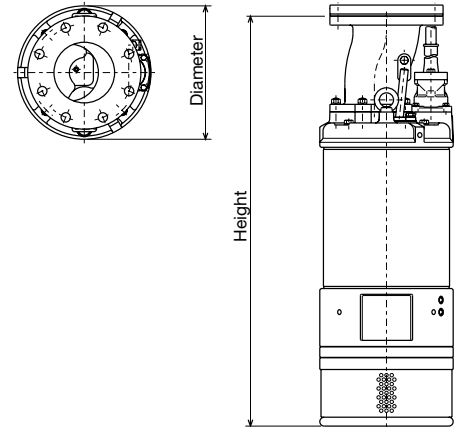
- High Pressure Capability
- High Pressure Rated Mechanical Seals
- Seal Pressure Relief Ports
- Rugged Iron Construction
- Anti-Wicking Cable Entrance
- Dual Silicon Carbide Mechanical Seals
- Oil Lifter
- Internal Thermal Motor Protection

Group Performance Curves: LH / LHW Series Pumps



LH Series handles medium to high flows at higher heads, yet its top discharge flow-through design welcomes low water level operation for extended periods. Complete with a high chromium semi-open impeller and adjustable wear rings, our LH pumps provide you with increased wear resistance whether your application is construction site drainage, or commercial/ industrial mine dewatering, or effluent transfer.

LH-W series achieves extremely high head pressure. Our dual enclosed impellers are just one of many features found engineered into these durable pumps which can help you solve all your long distance water transfer needs.



: Slimline Pumps - Pump diameter less than 15"

MODEL	MOTOR SPECIFICATIONS						Discharge Size (inch)	DIMENSION		Max. Solids Dia. (inch)	Continuous Running Water Level (in.)	Pump Weight (lbs.)
	Output (HP)	Rated Current (A)				RPM		Diameter	Height			
		208V	230V	460V	575V							
LH23.0W	4	12.3	12	6.0	4.7	3430	2	7 5/16	24 13/16	0.236	7 7/8	101
LH25.5W	7.5	22	19.2	9.6	7.7	3385	2	9 5/8	29 1/2	0.236	6 3/4	176
LH311W	15	42	37	18.5	14.5	3465	3	10 5/8	40 5/16	0.334	7 7/8	287
LH322W	30	—	—	35.5	28	3490	3	13	48 5/8	0.334	11 3/4	670
LH430W	40	—	—	48	38.5	3475	4	14 3/8	54 1/8	0.334	11 3/4	714
LH4110W	150	—	—	181	145	3570	4	24 1/2	71 7/8	0.315	15 3/4	2800

MODEL	MOTOR SPECIFICATIONS						Discharge Size (inch)	DIMENSION		Max. Solids Dia. (inch)	Continuous Running Water Level (in.)	Pump Weight (lbs.)
	Output (HP)	Rated Current (A)				RPM		Diameter	Height			
		208V	230V	460V	575V							
LH33.0	4	12.3	12	6.0	4.7	3430	3	7 5/16	25 3/8	0.236	5 7/8	93
LH23.7	5	14.6	14.6	7.3	—	3420	3	10	31 1/8	0.334	5 7/8	200
LH35.5	7.5	20.5	19.4	10	—	3430	2	10	31 1/8	0.334	5 7/8	220
LH47.5	10	28	26.5	13.5	—	3490	3	11 13/16	35 1/2	0.334	6 1/4	325
LH411	15	41	38.5	19.5	—	3495	4	11 13/16	35 1/2	0.334	6 1/4	345
LH615	20	53.8	48	24	19	3465	6	13	39 15/16	0.334	7 1/4	470
LH422	30	—	—	36	28.5	3490	4	16 9/16	53 1/4	0.236	9 7/8	770
LH622	30	—	—	36	28.5	3490	6	16 9/16	56	0.472	10 5/8	790
LH430	40	—	—	51	38.5	3475	4	16 9/16	53 1/4	0.236	9 7/8	780
LH637	50	—	—	58	46	3525	6	20 7/8	57	0.236	7 1/8	1090
LH837	50	—	—	58	46	3525	8	20 7/8	58 9/16	0.787	7 1/8	1090
LH645	60	—	—	67	53	3530	6	20 7/8	57	0.236	7 1/8	1120
LH845	60	—	—	67	53	3530	8	20 7/8	58 9/16	0.787	7 1/8	1120
LH855	75	—	—	87	70	3530	8	21 5/8	67 9/16	0.787	7 7/8	1810
LH675	100	—	—	113	91	3530	6	21 5/8	66	0.315	7 7/8	1910
LH875	100	—	—	113	91	3530	8	21 5/8	67 9/16	0.787	7 7/8	1910
LH6110	150	—	—	181	145	3570	6	24 1/2	74 5/16	0.394	7 7/8	2670
LH8110	150	—	—	181	145	3570	8	24 1/2	74 5/16	0.787	7 7/8	2670